



New Pricing for FlashPoints RestaurantCAD

Subscription pricing begins July 1, 2017

Beginning July 1, 2017, Flash-Soft will no longer be selling licenses for our FlashPoints product. FlashPoints will be sold for \$139 per month (billed annually). That price will include all 6 manufacturer versions of FlashPoints and be installed on 2 computers (seats). Subscribers must purchase at least one seat for each location in their company. Additional seats may be added by subscribing to additional bundles (each bundle adds 2 more seats).

Existing customers will be grandfathered and their existing license will remain unchanged. However, after July 1, any changes (such as adding a manufacturer or seats) will require the purchase of a subscription. If you have been sitting on the fence about adding a manufacturer or more seats, it might be a good idea to make these changes before July 1.

[Visit Flash-Soft.com](http://Flash-Soft.com)



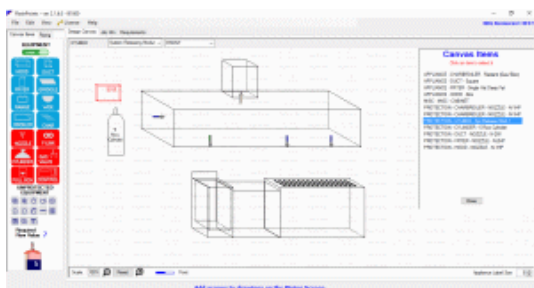
New FlashPoints update, New FlashPoints name

The new FlashPoints RestaurantCAD has been released this week. Everyone is encouraged to upgrade to this version (VERSION 2.1.6) as soon as possible.

This upgrade is significant enough that we have chosen this time to enhance the name of FlashPoints to better describe its purpose.



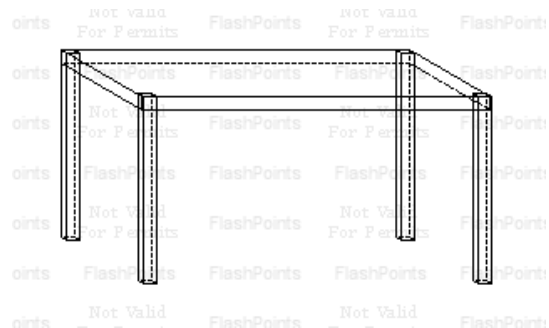
[More about FlashPoints](#)



New Item Selection Panel

Select items quickly from the new slide-out panel. Click the GEAR to see how it works!

The Job Settings, that used to be on the slide-out panel, are now located under the VIEW menu.



Your TABLE is ready!

Several FlashPoints customers have asked for a table that can be moved, turned, and resized.

We heard you.

